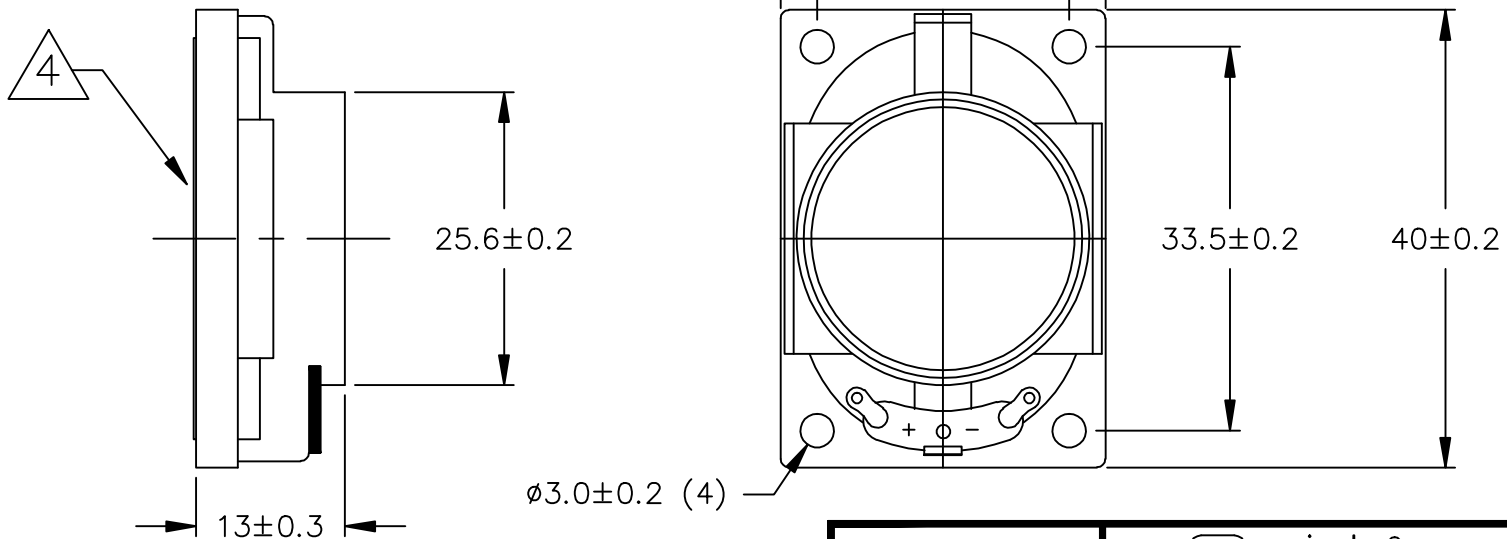


THIS DOCUMENT CONTAINS DATA PROPRIETARY TO PROJECTS UNLIMITED, INC. ANY USE OR REPRODUCTION, IN ANY FORM, WITHOUT PRIOR WRITTEN PERMISSION OF PROJECTS UNLIMITED, INC. IS PROHIBITED.
 ©2005, Projects Unlimited Inc.

SPECIFICATIONS

PARAMETERS	VALUES	UNITS
RATED INPUT POWER	2	W
MAX INPUT POWER	3	W
IMPEDANCE	4±15%	OHM
OUTPUT SPL @ 1W/0.5M (AT 0.8, 1.0, 1.2, 1.5 kHz)	87±3	dBA
DISTORTION (MAX.)	5%	-
RESONANT FREQUENCY	370±20%	Hz
FREQUENCY RANGE	200 ~ 20,000	Hz
HOUSING MATERIAL	ABS	-
CONE MATERIAL	TREATED PAPER	-
MAGNET MATERIAL	Nd-Fe-B	-
OPERATING TEMPERATURE	-40 ~ +85	°C
WEIGHT	16.5	grams


REVISIONS			
LTR	DESCRIPTION	DATE	APPROVED
-	RELEASED FROM ENGINEERING	12/7/05	
A	ADDED MOUNTING HOLE DIMENSION	12/18/07	R.W.
B	REVISED OPERATING TEMPERATURE	10/14/08	C.W.



NOTES:

1. ALL DIMENSIONS ARE IN MILLIMETERS.
 2. SPECIFICATION SUBJECT TO CHANGE OR WITHDRAWAL WITHOUT NOTICE.
 3. THIS PART IS RoHS 2002/95/EC COMPLIANT.
- △ CONE HAS BEEN TREATED FOR WATER RESISTANCE.

FILE NAME
AS04004PO-WR-R.DWG

UNLESS OTHERWISE SPECIFIED: DIMENSIONS ARE IN MILLIMETERS, TOLERANCES ARE ±0.5 AND ANGLES ARE ±3°.		 projects® unlimited Dayton, Ohio									
<table border="1"> <thead> <tr> <th>APPROVALS</th> <th>DATE</th> </tr> </thead> <tbody> <tr> <td>DRAWN <i>J.A.F.</i></td> <td>12/05</td> </tr> <tr> <td>CHECKED <i>B.R.</i></td> <td>12/05</td> </tr> <tr> <td>APPROVED <i>E.P.</i></td> <td>12/05</td> </tr> </tbody> </table>		APPROVALS	DATE	DRAWN <i>J.A.F.</i>	12/05	CHECKED <i>B.R.</i>	12/05	APPROVED <i>E.P.</i>	12/05	SPEAKER	
APPROVALS	DATE										
DRAWN <i>J.A.F.</i>	12/05										
CHECKED <i>B.R.</i>	12/05										
APPROVED <i>E.P.</i>	12/05										
SIZE A	DRAWING NO. AS04004PO-WR-R										
DO NOT SCALE DRAWING		SCALE: N.T.S.	SHEET 1 OF 1								